

Innovative design allows the motor to be powered by both AC and DC power sources.

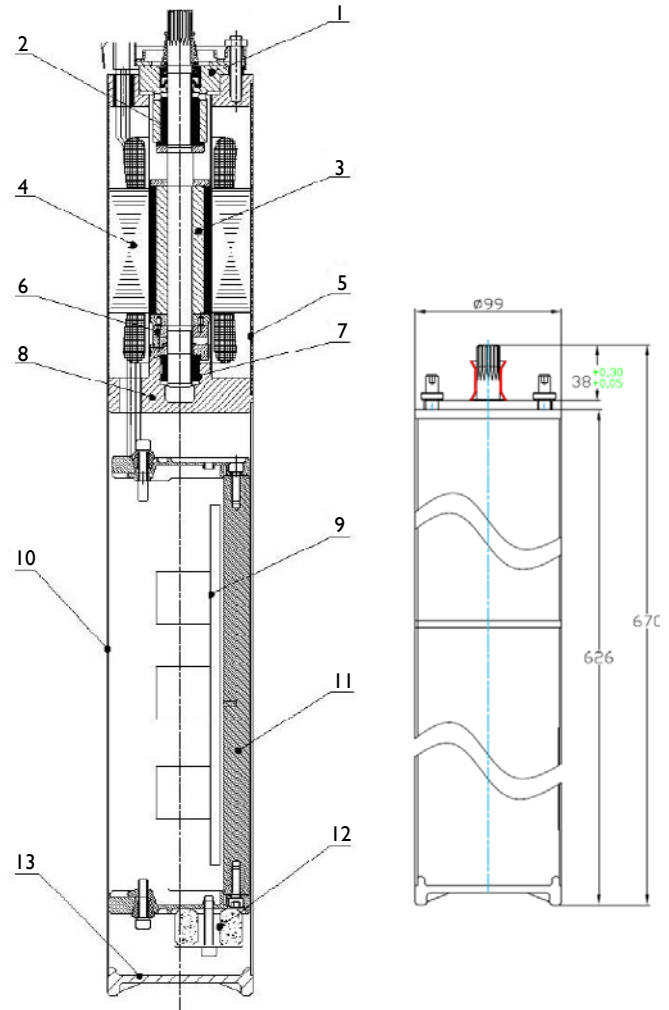
The motor has a maximum power output (P2) of 2200 W and is suitable for selected DAB pumps only. The speed range of the motor is 1800 rpm to 3000 rpm depending on the power input and load.

The motor uses rare earth permanent magnets, and has a built-in electronic unit comprising a frequency converter and motor controller. Vector control and MPPT are used to select the best operating point for the pump, based on the energy available from the input source.

The motor can be supplied with either AC or DC voltage.  
90-380VMPP (440VOC) DC, I<sub>ph</sub> 90-280 VAC.  
Maximum amps 10A, AC, 12A DC.

## MATERIALS

N.	PART*	MATERIALS
1	UPPER BEARING HOUSING	STAINLESS STEEL AISI 304 X5CrNi1810 - UNI 6900/71
2	UPPER BEARING	SILICON CARBIDE
3	PERMANENT MAGNET ROTOR	
4	STATOR	
5	MOTOR HOUSING	STAINLESS STEEL AISI 304 X5CrNi1810 - UNI 6900/71
6	THRUST BEARING	GRAPHITE
7	LOWER BEARING	SILICON CARBIDE
8	LOWER BEARING HOUSING	STAINLESS STEEL AISI 304 X5CrNi1810 - UNI 6900/71
9	CONTROL MODULE	
10	CONTROLLER HOUSING	STAINLESS STEEL AISI 304 X5CrNi1810 - UNI 6900/71
11	HEAT CONDUCTOR	ALUMINIUM
12	POWER FILTER COIL	
13	BASE	STAINLESS STEEL AISI 304 X5CrNi1810 - UNI 6900/71



P\_AUS/NZ\_P\_iCON\_PRODUCTPROFILE(805892)\_NOVEMBER2018